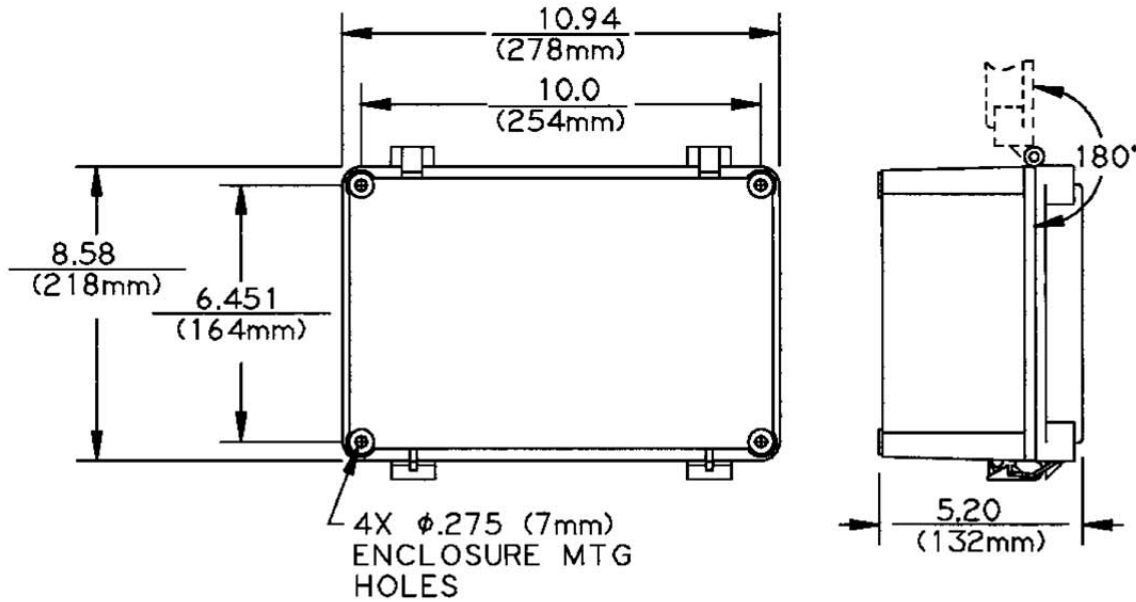


Enclosure Options

The following NEMA rated and hazardous location enclosures are available for certain AI-Tek Instruments tachometer products found in this catalog. When ordering an instrument and enclosure, the instrument will be mounted within the enclosure ready for your application.

The dimensions below will aid you in determining the mounting configuration for each enclosure. Contact your sales representative or factory to answer questions on your specific applications.

NEMA 4X



Tachtrol 3

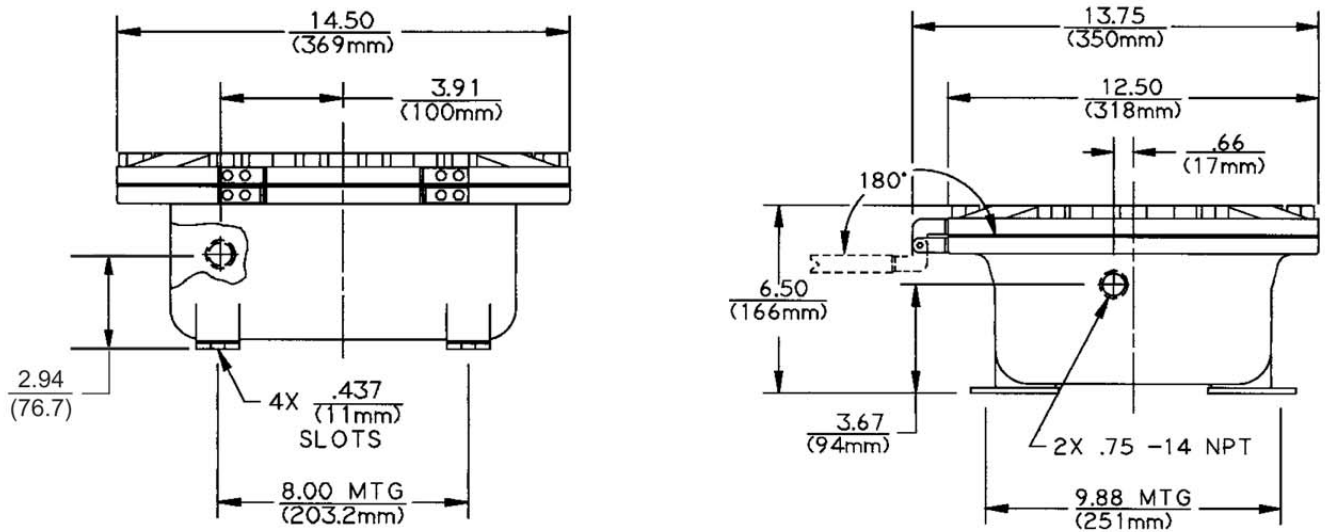


NEMA 4X

Meets the requirements of NEMA 3, 12, 4 and 4X. Tachtrol 3 illustrated above.

Dimensions in inches and (mm).

X STYLE

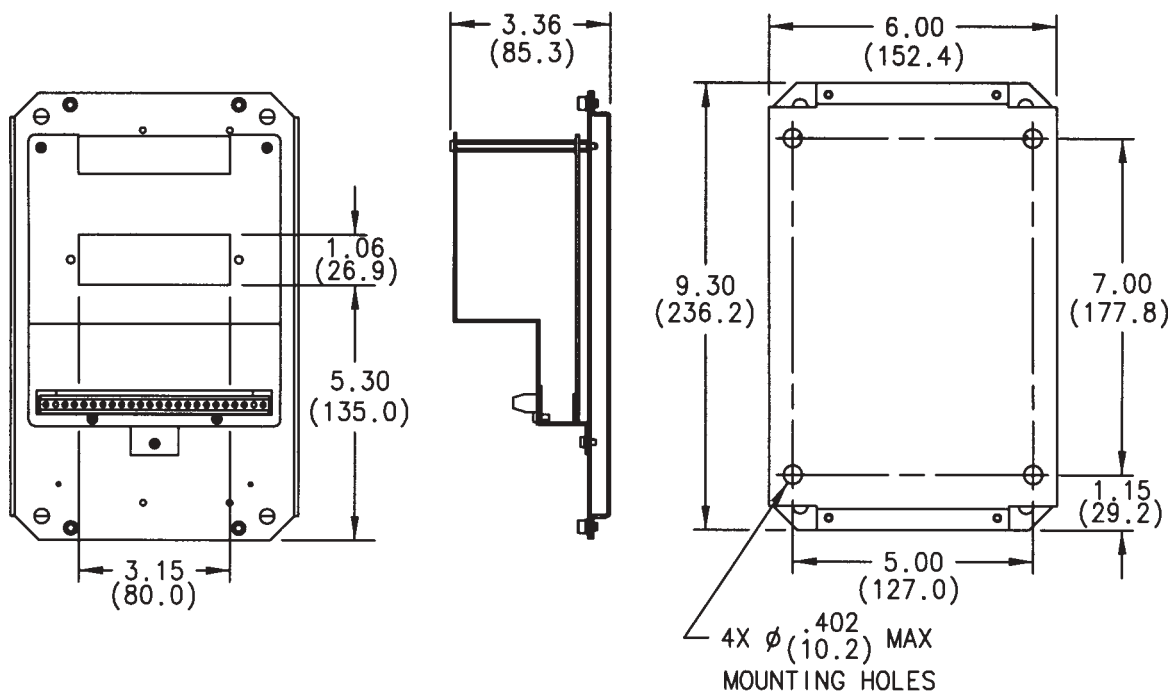


X STYLE

Meets the explosion-proof requirements of hazardous locations, Class 1, Division 1, Groups B,C & D; Class II, Division 1, Groups E,F & G. Also meets NEMA 3, 4, 7 & 9.

Dimensions in inches and (mm).

Tachtrol 3 Less Enclosure



T77310-01 & -02